

6-Ω, Low Voltage, Dual SPST Analog Switch

DESCRIPTION

The DG2737, DG2738 and DG2739 are high performance, low on-resistance analog switches of dual SPST configuration.

Built on Vishay Siliconix's sub-micro CMOS technology, the DG2737, DG2738, DG2739 achieve switch on-resistance of 6 Ω at 3 V V+. Its -3 dB bandwidth is typically 720 MHz.

It can switch signals with amplitudes of up to V_{CC} to be transmitted in either direction.

Combining low power, high speed, low on-resistance and small physical size, the DG2737, DG2738, DG2739 are ideal for portable and battery powered applications requiring high performance and efficient use of board space.

The DG2737, DG2738, DG2739 come in a small miniQFN8 lead package (1.4 x 1.4 x 0.55 mm). As a committed partner to the community and the environment, Vishay Siliconix manufactures this product with the lead (Pb)-free device terminations and is 100 % RoHS compliant.

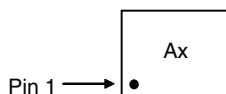
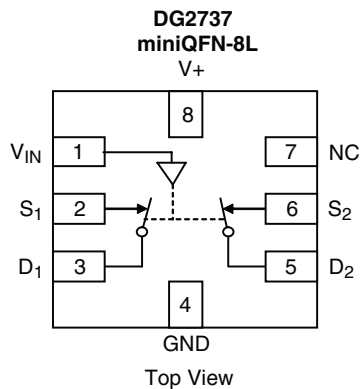
FEATURES

- Voltage range: 2.3 V to 4.3 V
- Low on-resistance: 6 Ω typ. at 3 V
- -48 dB crosstalk at 240 MHz
- Low power consumption
- Ultra small miniQFN8 package of 1.4 x 1.4 x 0.55 mm
- > 300 mA latch up current per JESD78
- Switch exceeds 5 kV ESD/HBM

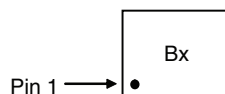
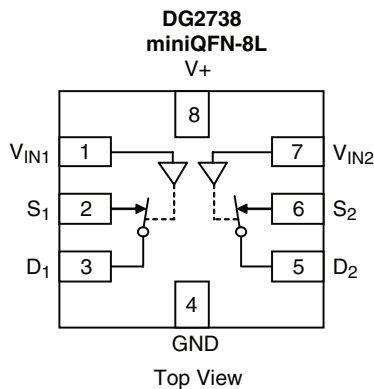


RoHS
COMPLIANT

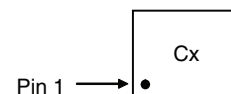
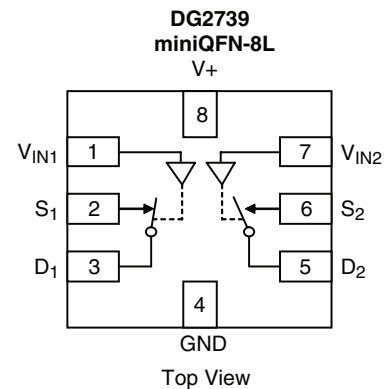
FUNCTIONAL BLOCK DIAGRAM AND PIN CONFIGURATION



Device Marking: Ax for DG2737
x = Date/Lot Traceability Code



Device Marking: Bx for DG2738
x = Date/Lot Traceability Code



Device Marking: Cx for DG2739
x = Date/Lot Traceability Code

TRUTH TABLE 1			
Input	Logic	DG2737	
		S ₁ and D ₁	S ₂ and D ₂
V _{IN}	Low	ON	ON
	High	OFF	OFF

TRUTH TABLE 2					
Input	Logic	DG2738		DG2739	
		S ₁ and D ₁	S ₂ and D ₂	S ₁ and D ₁	S ₂ and D ₂
V _{IN1}	Low	ON	X	ON	X
	High	OFF	X	OFF	X
V _{IN2}	Low	X	ON	X	OFF
	High	X	OFF	X	ON

ORDERING INFORMATION		
Temp. Range	Package	Part Number
- 40 °C to 85°C	miniQFN-8L	DG2737DN-T1-E4 DG2738DN-T1-E4 DG2739DN-T1-E4

ABSOLUTE MAXIMUM RATINGS T _A = 25 °C, unless otherwise noted			
Parameter		Limit	Unit
Reference to GND	V ₊	- 0.3 to 5.0	V
	V _{IN} , D, S ^a	- 0.3 to (V ₊ + 0.3)	
Current (Any terminal except D or S)		30	mA
Continuous Current (D or S)		± 300	
Peak Current (Pulsed at 1 ms, 10 % Duty Cycle)		± 500	
Storage Temperature (D Suffix)		- 65 to 150	°C
Power Dissipation (Packages) ^b	miniQFN-8L ^c	190	mW

Notes:

- a. Signals on V_{IN}, D, or S exceeding V₊ will be clamped by internal diodes. Limit forward diode current to maximum current ratings.
- b. All leads welded or soldered to PC board.
- c. Derate 2.4 mW/°C above 70 °C.

SPECIFICATIONS V ₊ = 3 V							
Parameter	Symbol	Test Conditions Unless Otherwise Specified V ₊ = 3 V, I _S = 0.4 V or 1.4 V ^e	Temp. ^a	Limits - 40 °C to 85 °C			Unit
				Min. ^b	Typ. ^c	Max. ^b	
Analog Switch							
Analog Signal Range ^d	V _{analog}	R _{ON}	Full	0		V ₊	V
On-Resistance	R _{ON}	V ₊ = 3 V, I _S = 8 mA, V _D = 0.4 V	Room		6	8	Ω
			Full			9	
R _{ON} Match ^d	ΔR _{ON}	V ₊ = 3 V, I _S = 8 mA, V _D = 0.4 V	Room		0.1	0.5	
R _{ON} Flatness ^d	R _{ON} Flatness	V ₊ = 3 V, I _S = 8 mA, V _D = 0 V, 1 V	Room		2.6	4	



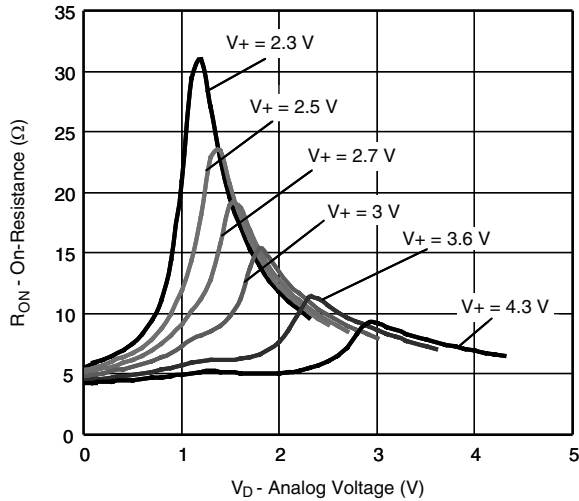
SPECIFICATIONS $V_+ = 3\text{ V}$								
Parameter	Symbol	Test Conditions Unless Otherwise Specified $V_+ = 3\text{ V}$, $V_{IN} = 0.4\text{ V}$ or 1.4 V^e	Temp. ^a	Limits - 40 °C to 85 °C			Unit	
				Min. ^b	Typ. ^c	Max. ^b		
Analog Switch								
Switch Off Leakage Current	$I_{S(off)}$	$V_+ = 4.3\text{ V}$, $V_S = 0.3\text{ V}/3.3\text{ V}$, $V_D = 3.3\text{ V}/0.3\text{ V}$	Room	- 10		10	nA	
			Full	- 100		100		
	$I_{D(off)}$		Room	- 10		10		
			Full	- 100		100		
Channel-On Leakage Current	$I_{D(on)}$	$V_+ = 4.3\text{ V}$, $V_S = V_D = 4\text{ V}/0.3\text{ V}$	Room	- 10		10		
			Full	- 100		100		
Digital Control								
Input High Voltage	V_{INH}	$V_+ = 2.3\text{ V}$ to 4.3 V	Full	1.3			V	
Input Low Voltage	V_{INL}		Full			0.5		
Input Current	I_{INL} or I_{INH}	$V_{IN} = 0$ or V_+	Full	- 1		1	μA	
Dynamic Characteristics								
Turn-On Time ^e	t_{ON}	$V_+ = 2.3\text{ V}$ to 3.6 V , V_{NO} or $V_S = 1.5\text{ V}$, $R_L = 50\ \Omega$, $C_L = 35\text{ pF}$	Room		23	60	ns	
			Full			70		
Turn-Off Time ^e	t_{OFF}		Room		13	50		
			Full			60		
Break-Before-Make Time	t_{BBM}		$V_+ = 2.3\text{ V}$ to 4.3 V	Room		6		ns
				Full	1			
Charge Injection ^d	Q	$C_L = 1\text{ nF}$, $R_{GEN} = 0\ \Omega$, $V_{GEN} = 0\text{ V}$	Room		10.4		pC	
Off-Isolation ^d	O_{IRR}	$R_L = 50\ \Omega$, $C_L = 5\text{ pF}$, $f = 1\text{ MHz}$ $R_L = 50\ \Omega$, $C_L = 5\text{ pF}$, $f = 10\text{ MHz}$ $R_L = 50\ \Omega$, $C_L = 5\text{ pF}$, $f = 240\text{ MHz}$	Room		- 79		dB	
					- 59			
					- 28			
Crosstalk ^d	X_{TALK}		$R_L = 50\ \Omega$, $C_L = 5\text{ pF}$, $f = 1\text{ MHz}$ $R_L = 50\ \Omega$, $C_L = 5\text{ pF}$, $f = 10\text{ MHz}$ $R_L = 50\ \Omega$, $C_L = 5\text{ pF}$, $f = 240\text{ MHz}$	Room		- 109		
						- 99		
						- 48		
3 dB bandwidth ^d		$R_L = 50\ \Omega$, $C_L = 5\text{ pF}$		Room		720		MHz
Channel to Channel skew ^d		$R_L = 50\ \Omega$, $C_L = 5\text{ pF}$		Room		25		ps
Skew of Opposite Transitions of the Same Output ^d						20		
Total Jitter ^d						200		
Source Off Capacitance ^d	$C_{S(off)}$		$f = 1\text{ MHz}$, $V_S = 0\text{ V}$		Room		4.4	
Drain Off Capacitance ^d	$C_{D(off)}$	$f = 1\text{ MHz}$, $V_D = 0\text{ V}$	Room		3.8			
Drain On Capacitance ^d	$C_{D(on)}$	$f = 1\text{ MHz}$, $V_D = V_S = 0\text{ V}$	Room		10			
Control Pin Capacitance ^d	C_{IN}	$f = 1\text{ MHz}$	Room		8.3			
Power Supply								
Power Supply Range	V_+			2.3		4.3	V	
Power Supply Current	I_+	$V_{IN} = 0$ or V_+	Full			1.0	μA	

Notes:

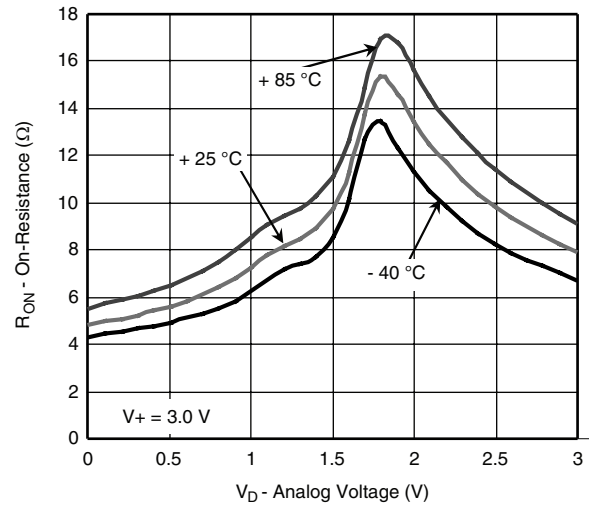
- a. Room = 25 °C, Full = as determined by the operating suffix.
- b. The algebraic convention whereby the most negative value is a minimum and the most positive a maximum, is used in this data sheet.
- c. Typical values are for design aid only, not guaranteed nor subject to production testing.
- d. Guarantee by design, not subjected to production test.
- e. V_{IN} = input voltage to perform proper function.

Stresses beyond those listed under "Absolute Maximum Ratings" may cause permanent damage to the device. These are stress ratings only, and functional operation of the device at these or any other conditions beyond those indicated in the operational sections of the specifications is not implied. Exposure to absolute maximum rating conditions for extended periods may affect device reliability.

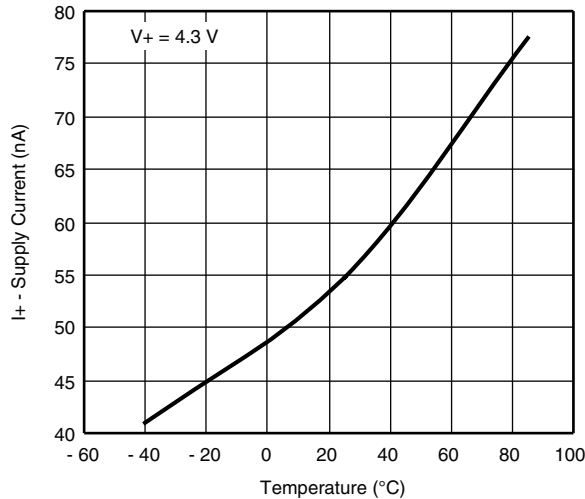
TYPICAL CHARACTERISTICS 25 °C, unless otherwise noted



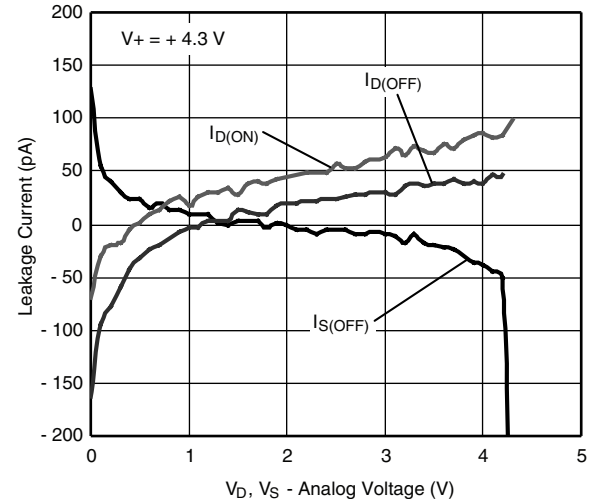
RON vs. VD and Supply Voltage



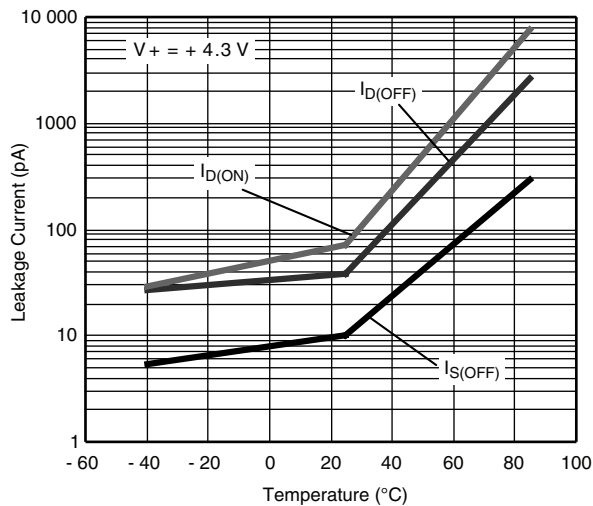
RON vs. VD and Temperature



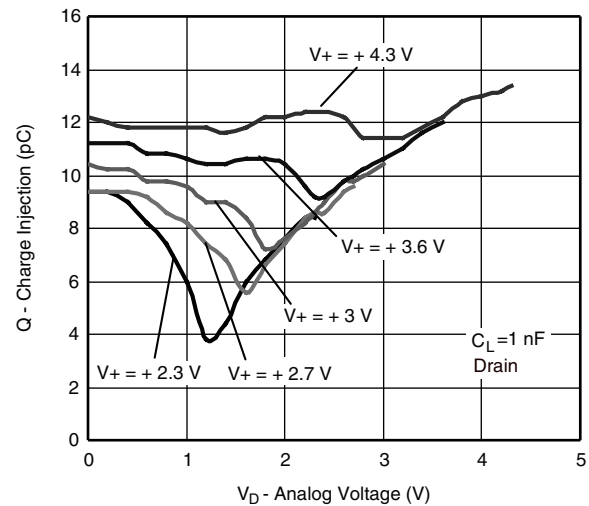
Supply Current vs. Temperature



Leakage vs. Analog Voltage

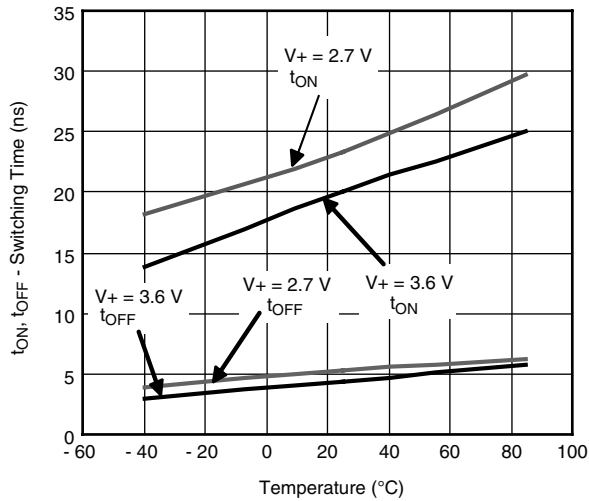


Leakage Current vs. Temperature

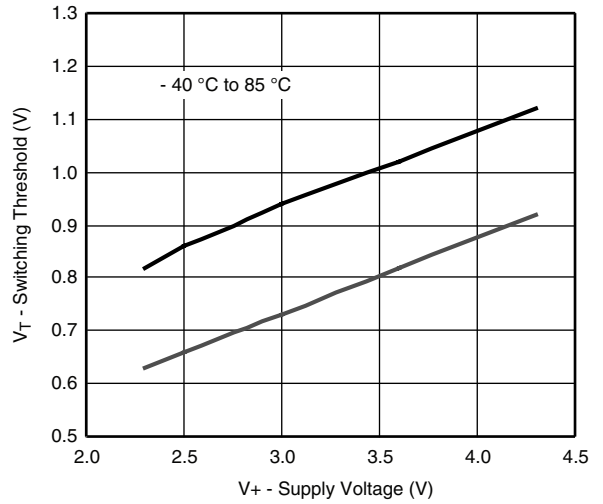


Charge Injection vs. Analog Voltage

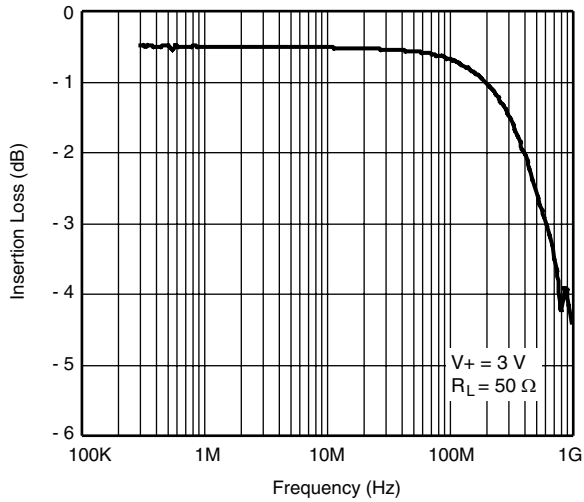
TYPICAL CHARACTERISTICS 25 °C, unless otherwise noted



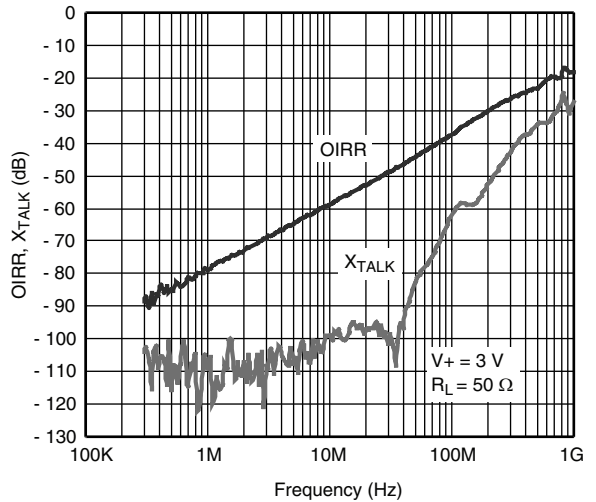
Switching Time vs. Temperature



Switching Threshold vs. Supply Voltage

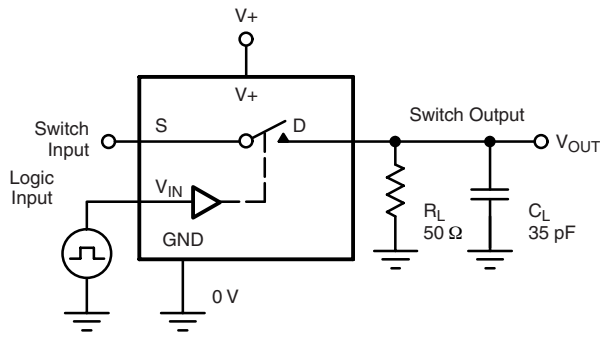


Insertion Loss vs. Frequency



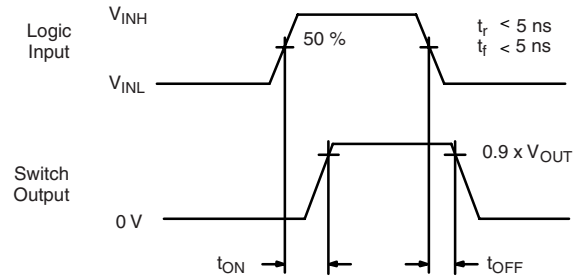
Off-Isolation, Crosstalk vs. Frequency

TEST CIRCUITS



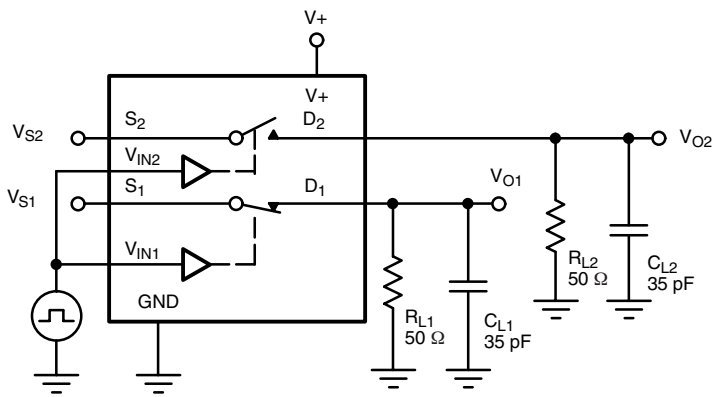
C_L (includes fixture and stray capacitance)

$$V_{OUT} = V_D \left(\frac{R_L}{R_L + R_{ON}} \right)$$



Logic "1" = Switch On
Logic input waveforms inverted for switches that have the opposite logic sense.

Figure 1. Switching Time



C_L (includes fixture and stray capacitance)

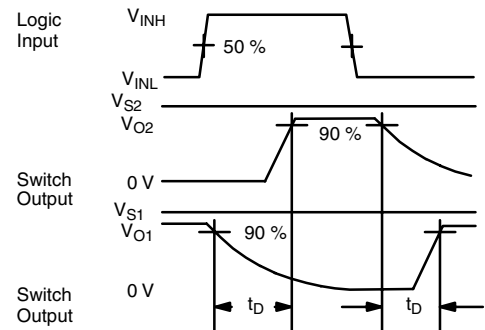


Figure 2. Break-Before-Make (DG2739)

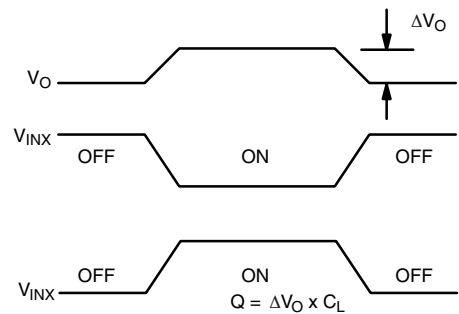
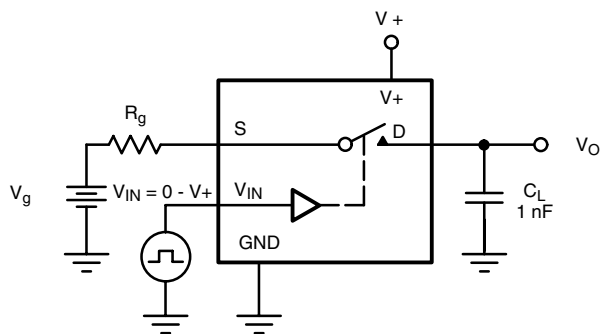


Figure 3. Charge Injection

TEST CIRCUITS

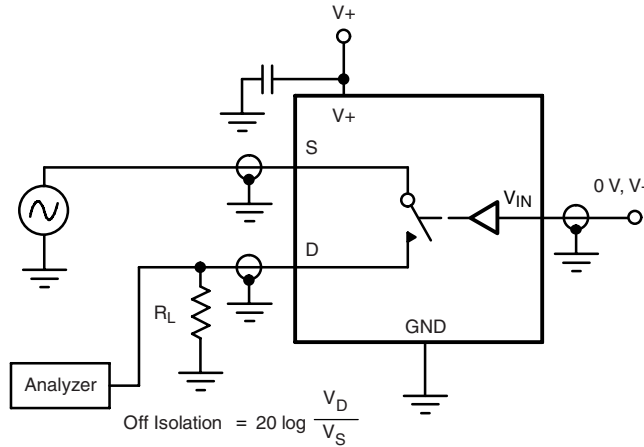


Figure 4. Off-Isolation

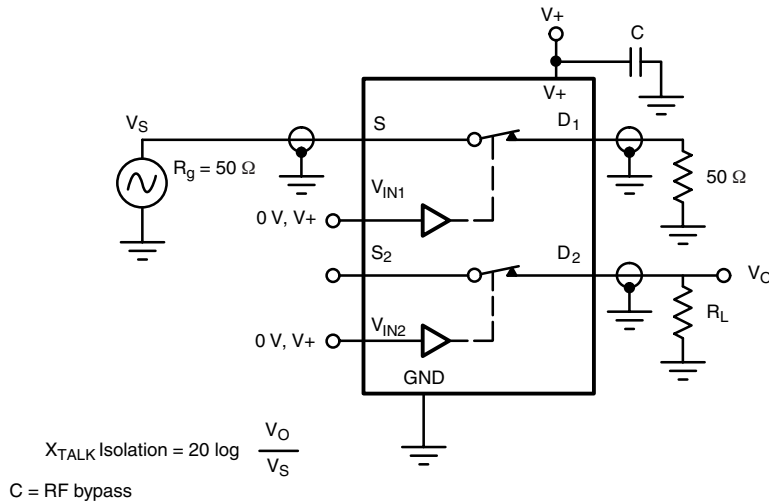


Figure 5. Crosstalk

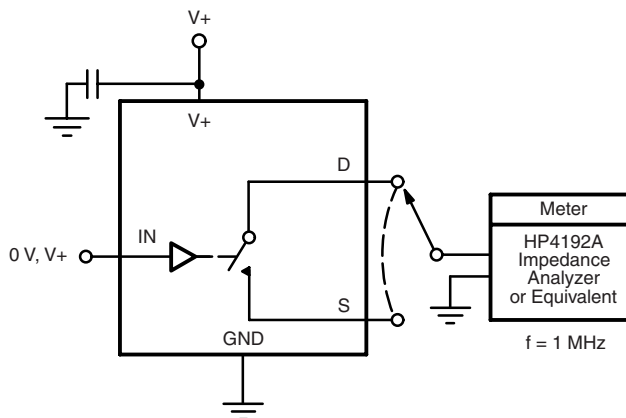


Figure 6. Channel Off/On Capacitance

Vishay Siliconix maintains worldwide manufacturing capability. Products may be manufactured at one of several qualified locations. Reliability data for Silicon Technology and Package Reliability represent a composite of all qualified locations. For related documents such as package/tape drawings, part marking, and reliability data, see <http://www.vishay.com/ppg?68801>.



Disclaimer

All product specifications and data are subject to change without notice.

Vishay Intertechnology, Inc., its affiliates, agents, and employees, and all persons acting on its or their behalf (collectively, "Vishay"), disclaim any and all liability for any errors, inaccuracies or incompleteness contained herein or in any other disclosure relating to any product.

Vishay disclaims any and all liability arising out of the use or application of any product described herein or of any information provided herein to the maximum extent permitted by law. The product specifications do not expand or otherwise modify Vishay's terms and conditions of purchase, including but not limited to the warranty expressed therein, which apply to these products.

No license, express or implied, by estoppel or otherwise, to any intellectual property rights is granted by this document or by any conduct of Vishay.

The products shown herein are not designed for use in medical, life-saving, or life-sustaining applications unless otherwise expressly indicated. Customers using or selling Vishay products not expressly indicated for use in such applications do so entirely at their own risk and agree to fully indemnify Vishay for any damages arising or resulting from such use or sale. Please contact authorized Vishay personnel to obtain written terms and conditions regarding products designed for such applications.

Product names and markings noted herein may be trademarks of their respective owners.